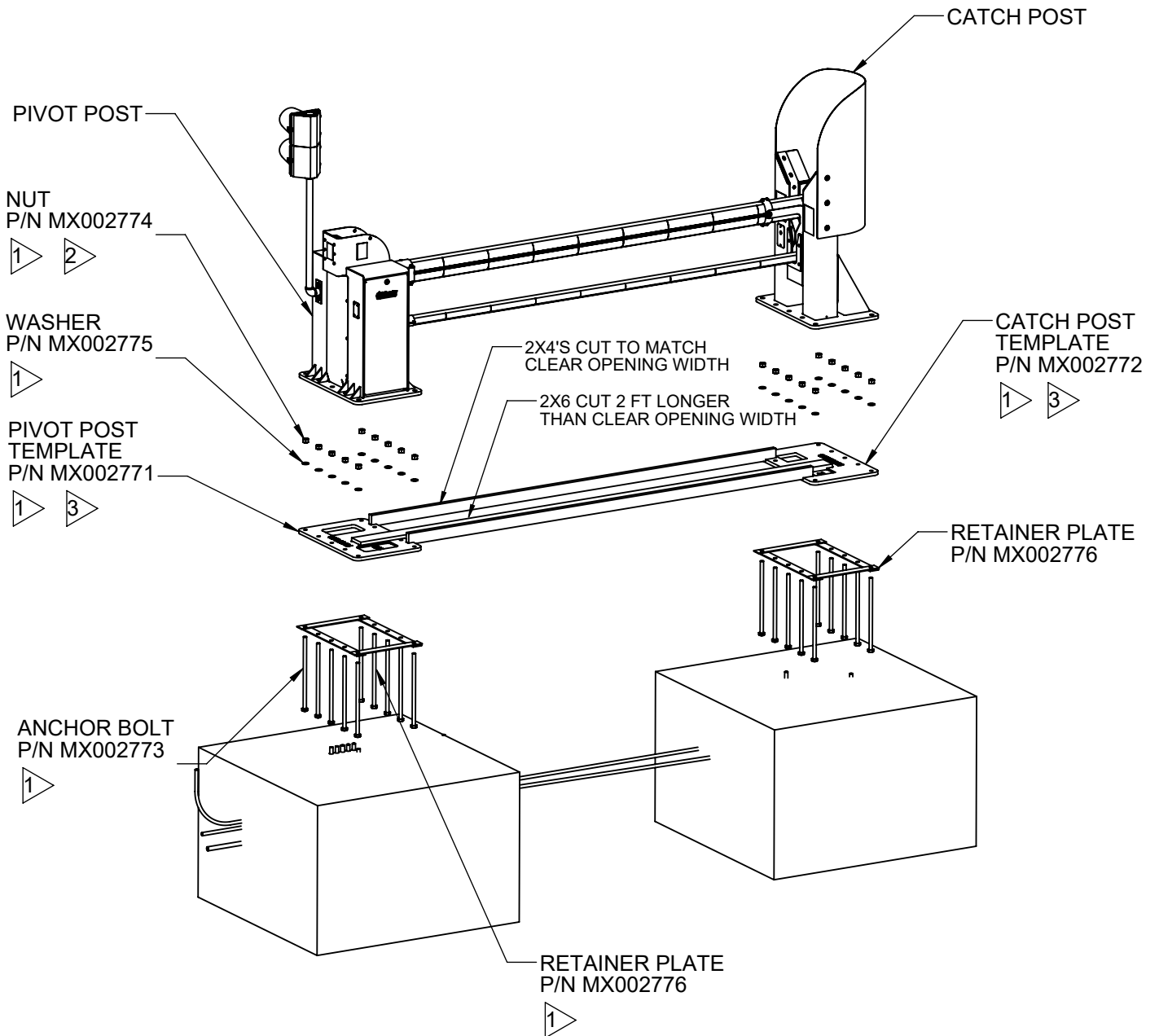


LTR	DESCRIPTION	DATE	APPR'VD
B	ADDED TEMPLATE DIMS - SHT 2	2/28/2014	RAW



- 1 M50 COMPONENT PARTS: ONLY USE THE HARDWARE PROVIDED DO NOT SUBSTITUTE WITH OTHER MANUFACTURED PARTS.
- 2 TORQUE TO 150 FT-LBS
- 3 WOOD PARTS: TEMPLATE, 2X4 AND 2X6 ARE REMOVED AFTER CONCRETE HAS HARDENED ADEQUATELY.

NOTE: DRAWING IS NOT TO SCALE.



DOCUMENT TITLE
HD-8050 INSTALL SPECIFICATION

DRAWN	DATE
DRY	6/6/2012
CHECKED	DATE
APPROVED	DATE

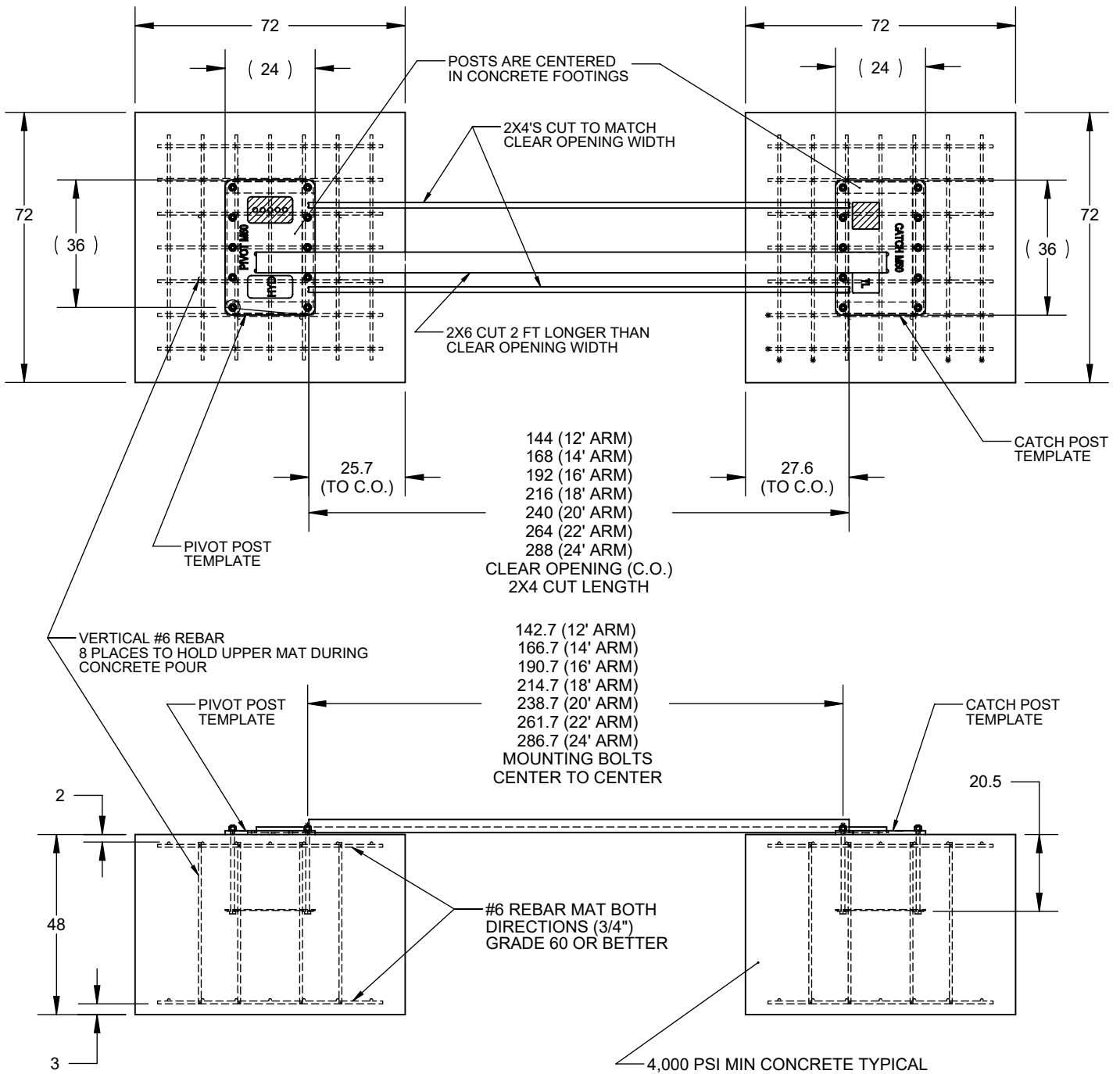
DOCUMENT NUMBER:
D0495

THIRD ANGLE PROJECTION

REV
B

SHT 1 OF 7

LTR	DESCRIPTION	DATE	APPRV'D
B	ADDED TEMPLATE DIMS - SHT 2	2/28/2014	RAW

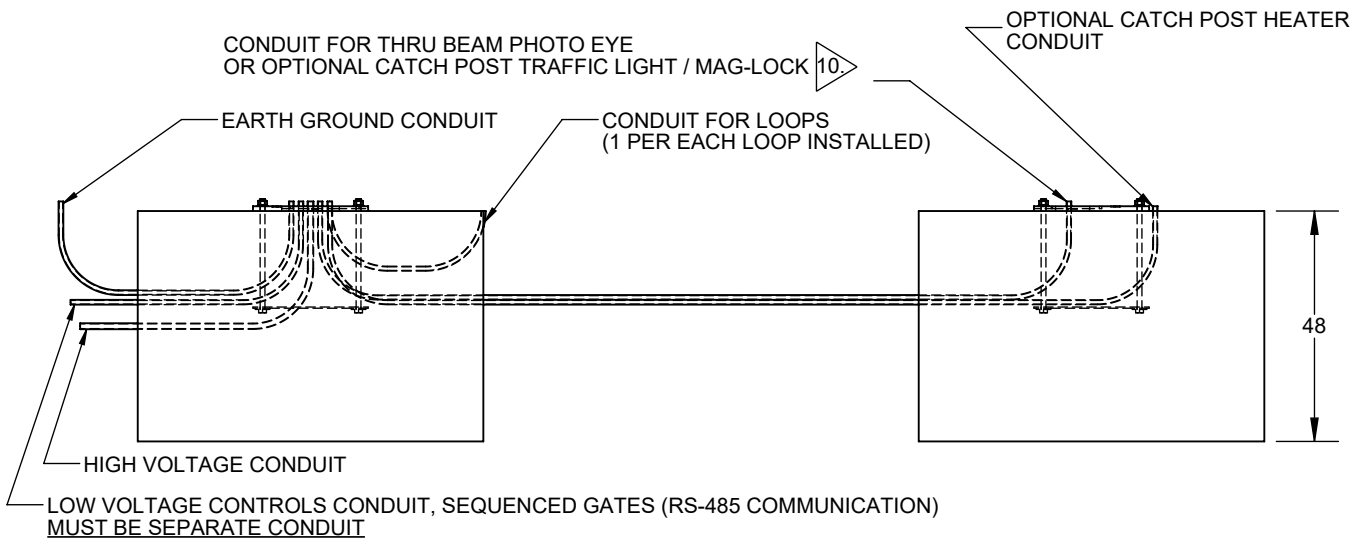
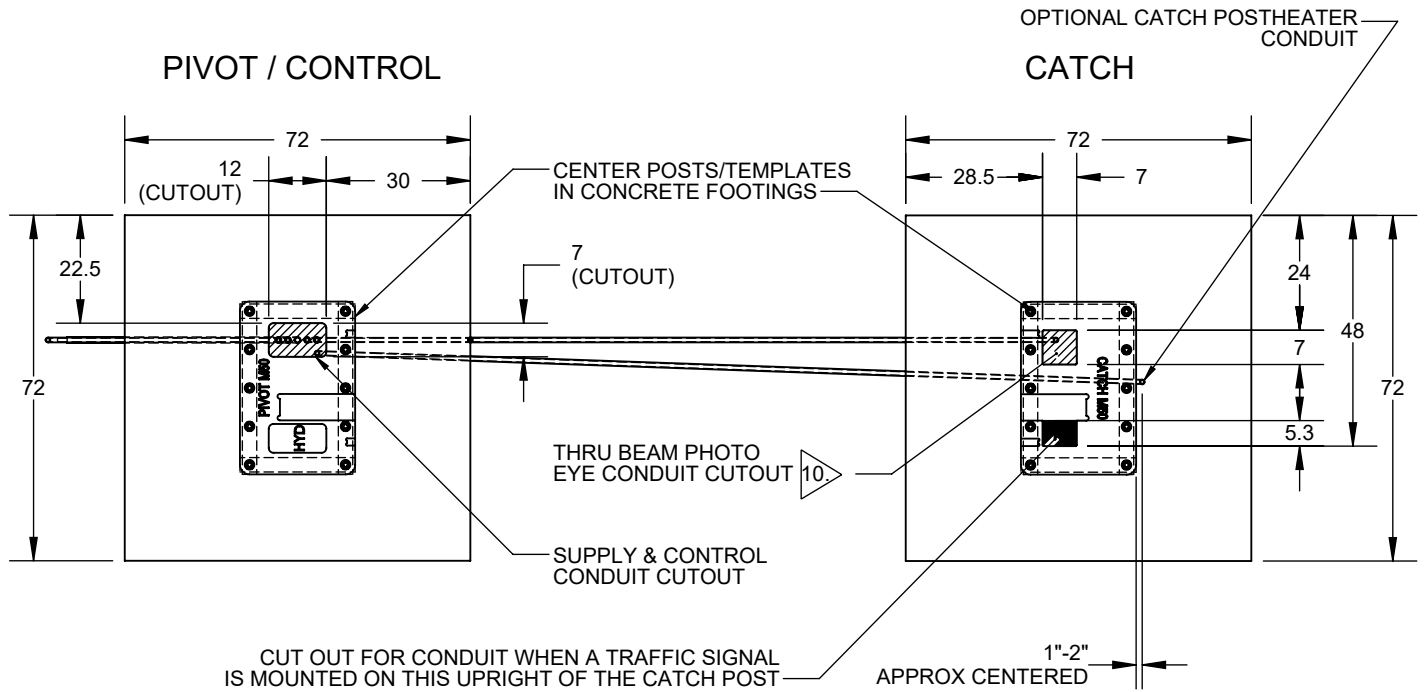


4. DIMENSIONS ARE IN INCHES UNLESS OTHERWISE NOTED.
5. PIVOT AND CATCH POST BOLT TEMPLATES ARE DIFFERENT, BUT CONCRETE FOOTINGS AND REBAR MATS ARE IDENTICAL IN SIZE.
6. ALLOY STEEL ANCHOR BOLTS, EMBEDDED RETAINER PLATES, NUTS AND WASHERS ARE SUPPLIED BY HYSECURITY.
7. REBAR, CONDUIT, 2X4, 2X6, AND CONCRETE MUST BE SUPPLIED BY THE INSTALLER.

NOTE: DRAWING IS NOT TO SCALE.

	DOCUMENT TITLE	DRAWN	DATE	DOCUMENT NUMBER:	REV
	STRONGARM M50 INSTALL	DRY	6/6/2012	D0495	B
		CHECKED	DATE		
	APPROVED	DATE	THIRD ANGLE PROJECTION	SHT 2 OF 7	

LTR	DESCRIPTION	DATE	APPRVD
B	ADDED TEMPLATE DIMS - SHT 2	2/28/2014	RAW



8. DIMENSIONS ARE IN INCHES UNLESS OTHERWISE NOTED

9. REBAR NOT SHOWN

10. NECESSARY IF USING THRU BEAM PHOTO EYE, UNLESS OPTIONAL BATTERY POWERED EYE IS USED

NOTE: DRAWING IS NOT TO SCALE.



DOCUMENT TITLE
STRONGARM M50 INSTALL

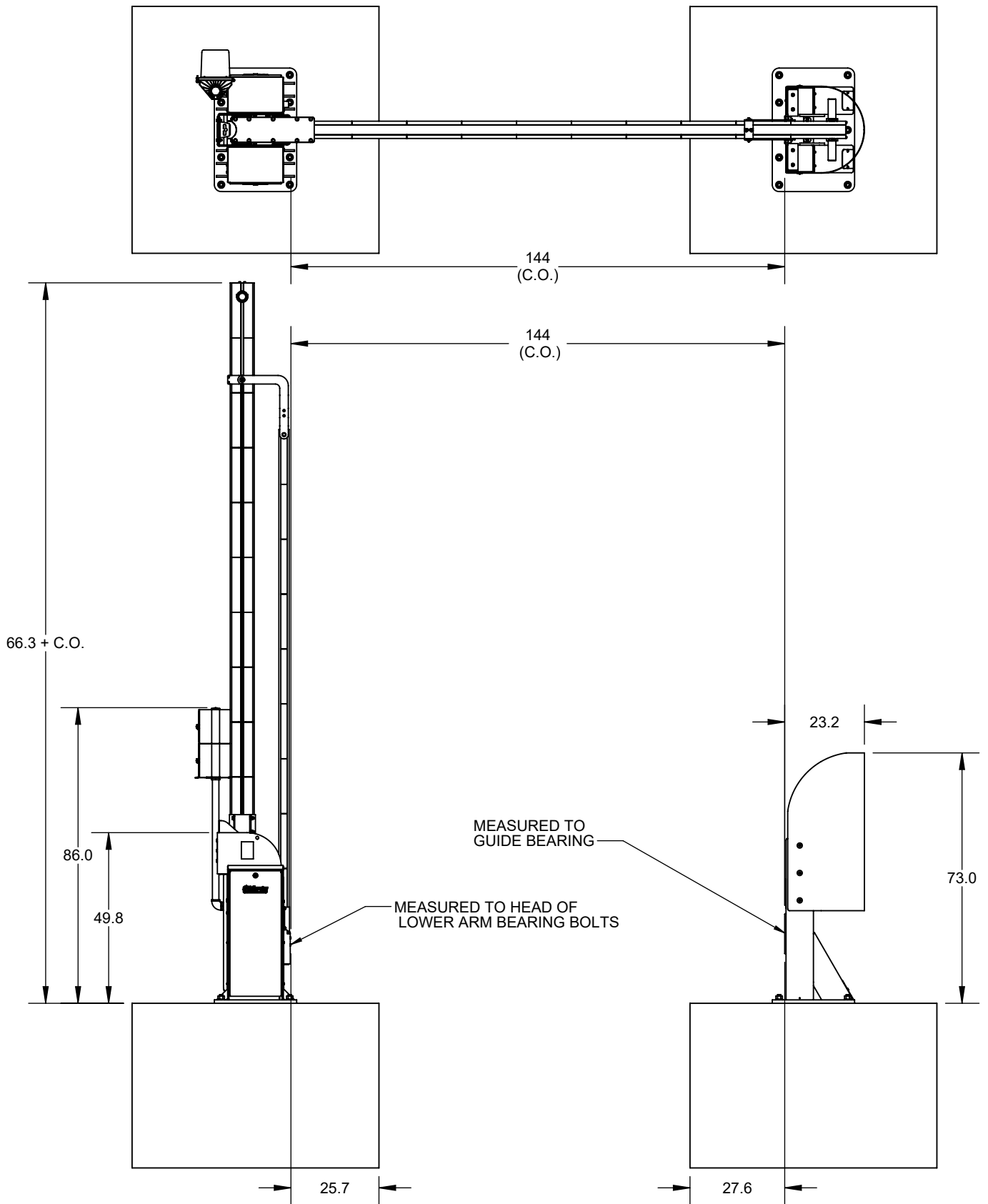
DRAWN	DATE
DRY	6/6/2012
CHECKED	DATE
APPROVED	DATE

DOCUMENT NUMBER:
D0495

REV
B
SHT 3 OF 7



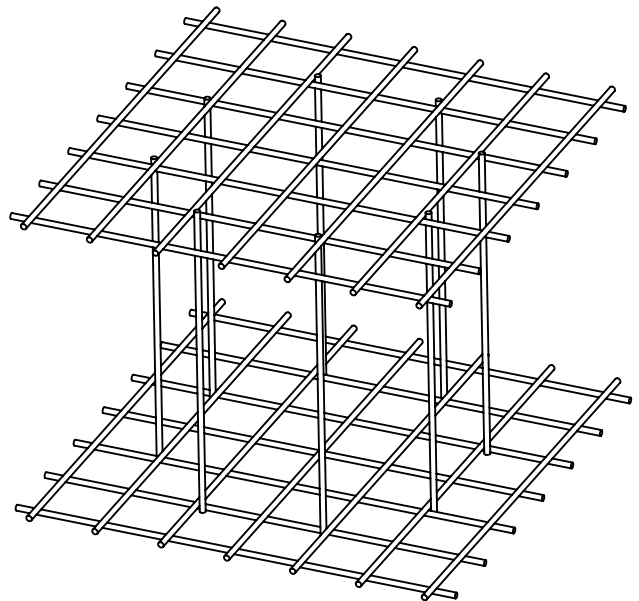
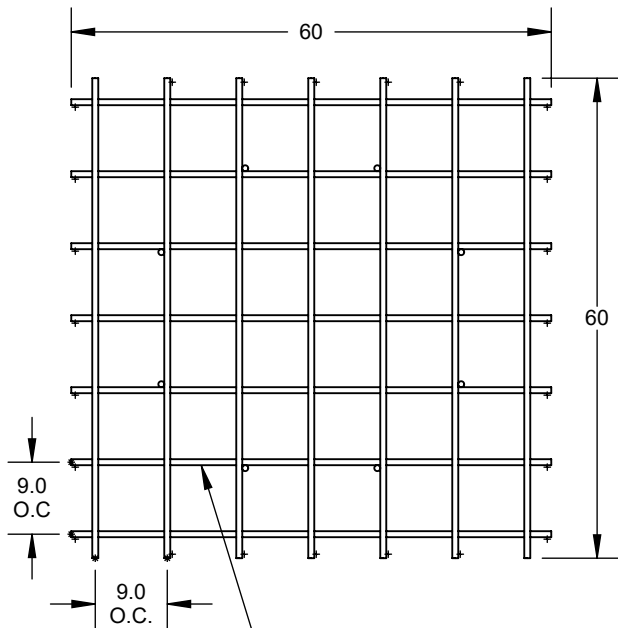
LTR	DESCRIPTION	DATE	APPRVD
B	ADDED TEMPLATE DIMS - SHT 2	2/28/2014	RAW



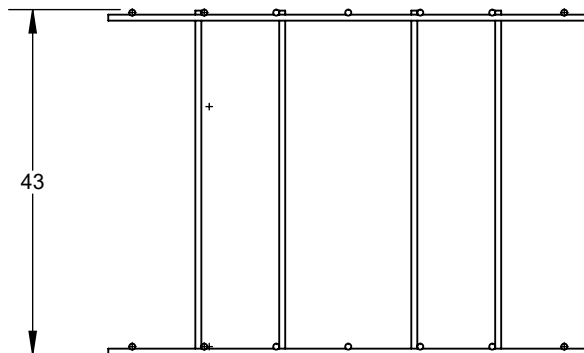
DIMENSIONS SHOWN FOR 12' CLEAR OPENING EXAMPLE

NOTE: DRAWING IS NOT TO SCALE.

	DOCUMENT TITLE	DRAWN	DATE	DOCUMENT NUMBER:	REV
	STRONGARM M50 INSTALL	DRY	6/6/2012	D0495	B
		CHECKED	DATE		
	APPROVED	DATE	THIRD ANGLE PROJECTION	SHT 4 OF 7	



#6 REBAR BOTH DIRECTIONS (3/4") GRADE 60 OR BETTER



11. DESIGN SHOWN IS FOR A CONCRETE FOOTING 72 X 72 X 48. REBAR TO BE SPACED 2" FROM THE TOP OF CONCRETE FOOTING AND 3" FROM THE BOTTOM.
12. REBAR AND FOOTING ARE IDENTICAL FOR PIVOT AND CATCH SIDES.

NOTE: DRAWING IS NOT TO SCALE.



DOCUMENT TITLE
STRONGARM M50 INSTALL

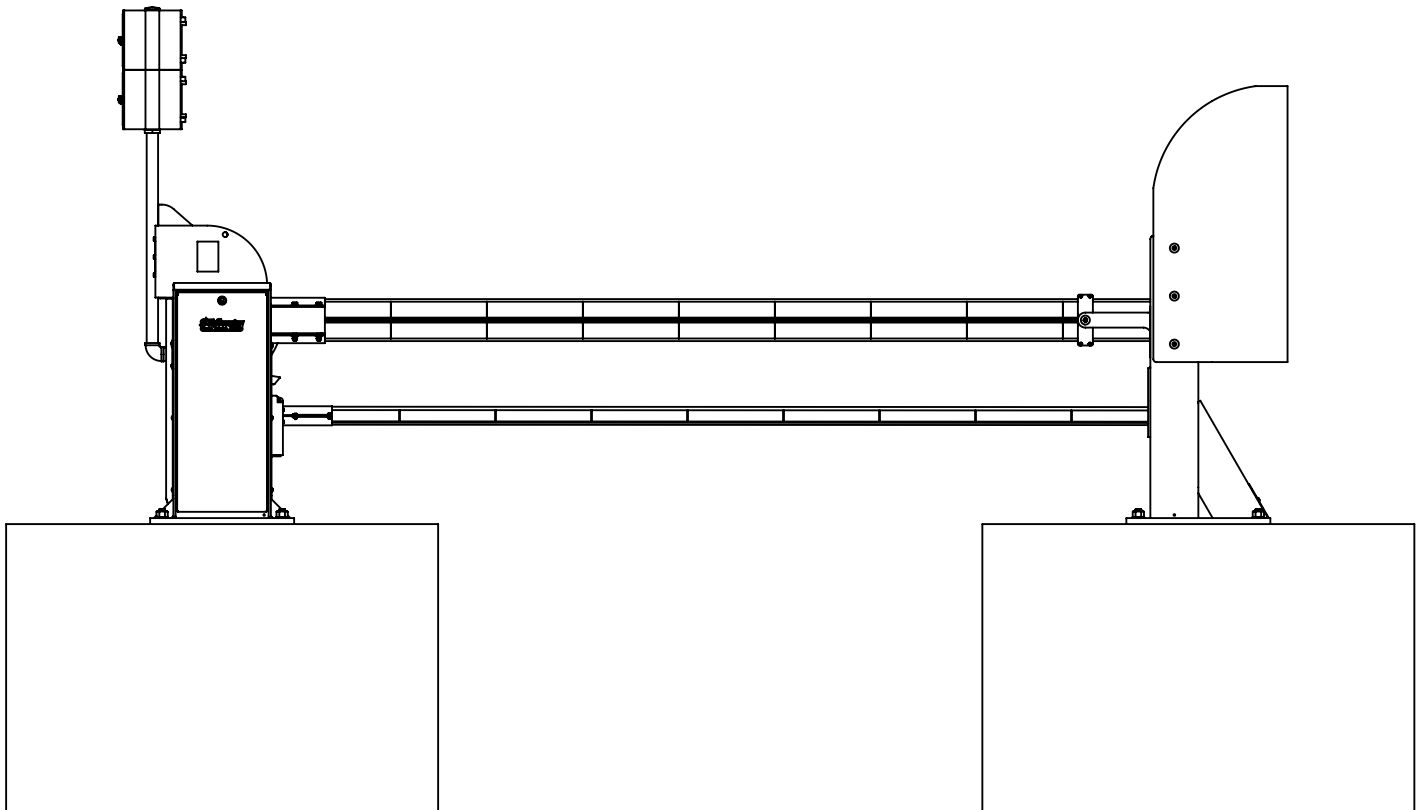
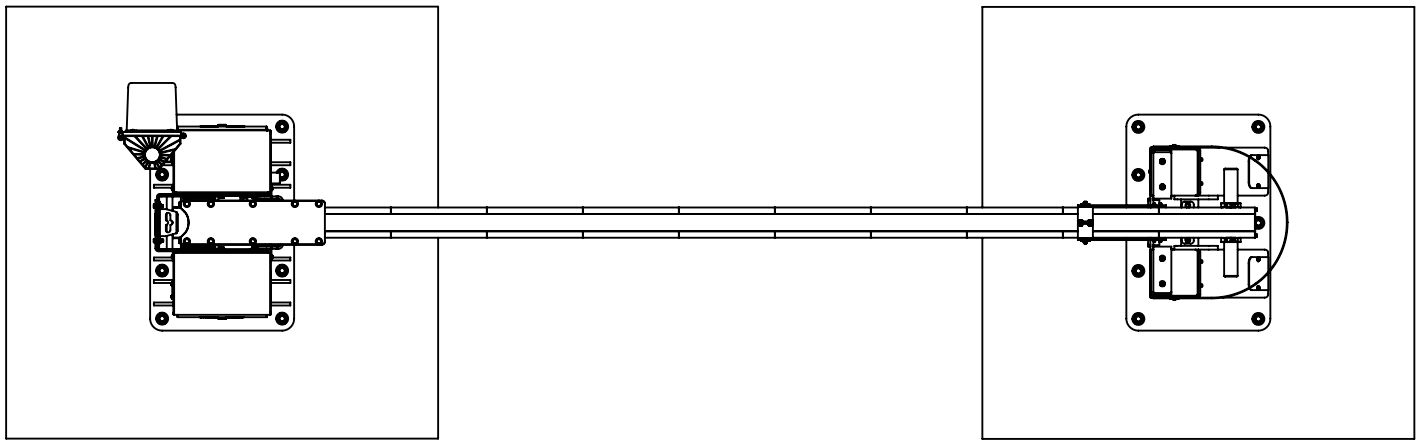
DRAWN DRY	DATE 6/6/2012
CHECKED	DATE
APPROVED	DATE

DOCUMENT NUMBER:
D0495

THIRD ANGLE PROJECTION

REV
B

SHT 5 OF 7



SLOAN M50 BARRIER CLOSED - 12' CLEAR OPENING

