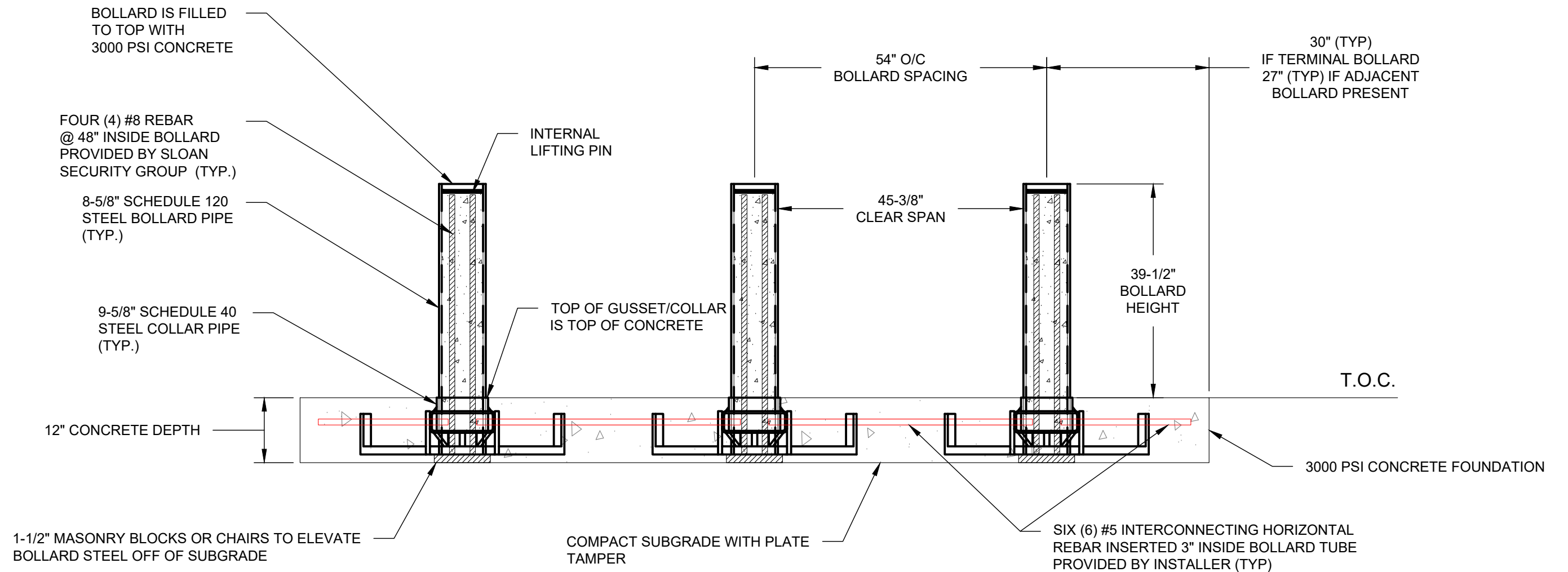


# SLOAN FIXED BOLLARD M30/P1

SHALLOW MOUNT BOLLARD - MODEL FB-2030-S

CRASH TESTED TO ASTM F2656-07 - M30/P1 RATED - STOPS 15,000 LB. VEHICLE AT 30 MPH IMPACT

## TYPICAL BOLLARD ARRAY INSTALLATION



NOTE:  
MODIFIED SPACING FOR SITE SPECIFIC CONDITIONS AVAILABLE.



**SLOAN SECURITY GROUP**  
6828 W MELROSE ST  
BOISE, ID 83709  
1 (800) 275-5998 www.sloansg.com

**PATENT PROTECTED**

**THE DRAWINGS AND INFORMATION CONTAINED HEREIN ARE PROPRIETARY AND CONFIDENTIAL. ALL RIGHTS RESERVED**

ELEVATION VIEW

FB-2030-S  
SUBMITTAL DRAWING

SHEET: 1 OF 4

20230227-10-M

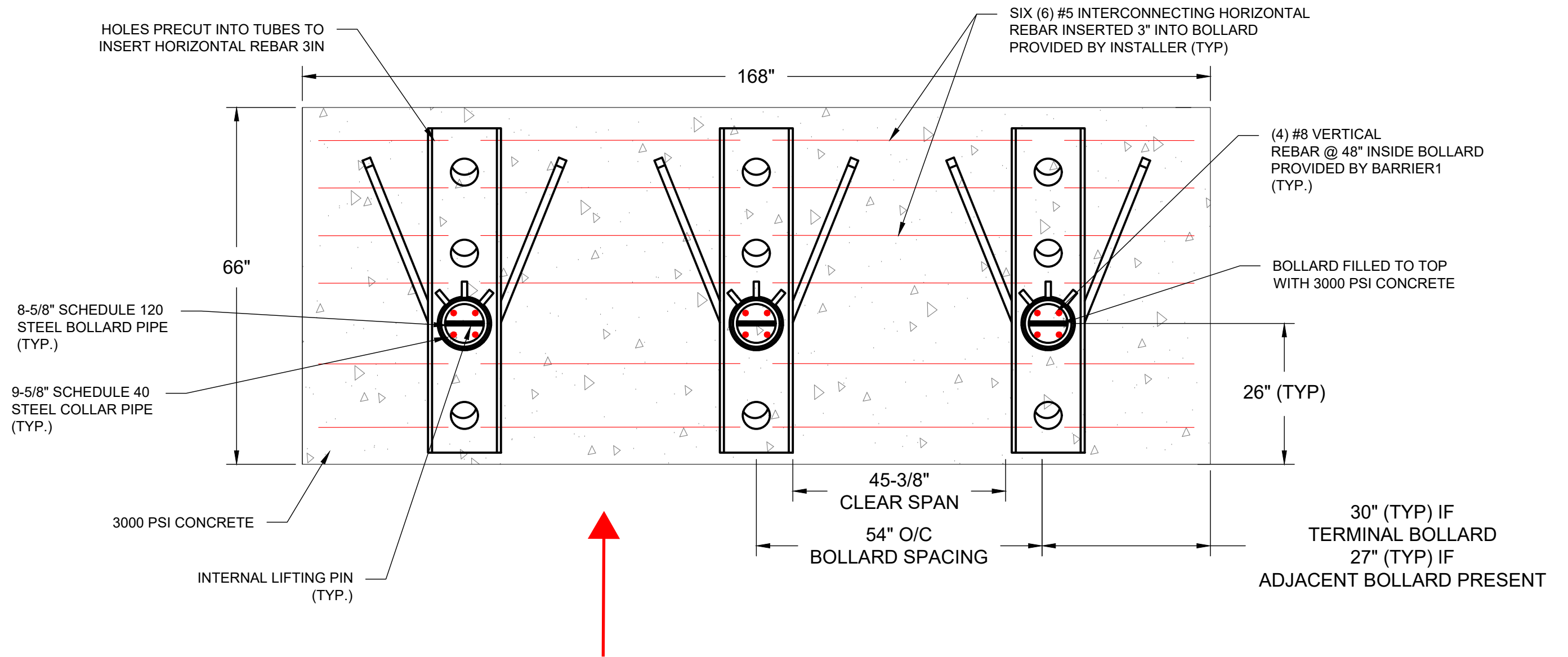
SCALE: N.T.S.

# SLOAN FIXED BOLLARD M30/P1

SHALLOW MOUNT BOLLARD - MODEL FB-2030-S

CRASH TESTED TO ASTM F2656-07 - M30/P1 RATED - STOPS 15,000 LB. VEHICLE AT 30 MPH IMPACT

## TYPICAL BOLLARD ARRAY INSTALLATION



NOTE:  
MODIFIED SPACING FOR SITE SPECIFIC CONDITIONS AVAILABLE.



**SLOAN SECURITY GROUP**

6828 W MELROSE ST  
BOISE, ID 83709  
1 (800) 275-5998 www.sloansg.com

**PATENT PROTECTED**

**THE DRAWINGS AND INFORMATION CONTAINED HEREIN ARE PROPRIETARY AND CONFIDENTIAL. ALL RIGHTS RESERVED**

PLAN VIEW

FB-2030-S  
SUBMITTAL DRAWING

SHEET: 2 OF 4

20230227-10-M

SCALE: N.T.S.

# SLOAN FIXED BOLLARD M30/P1

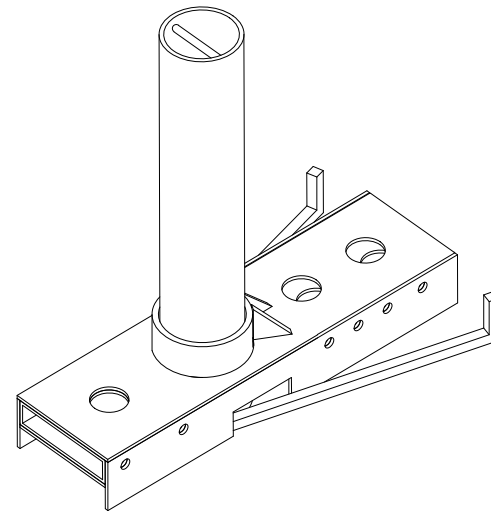
SHALLOW MOUNT BOLLARD - MODEL FB-2030-S

CRASH TESTED TO ASTM F2656-07 - M30/P1 RATED - STOPS 15,000 LB. VEHICLE AT 30 MPH IMPACT

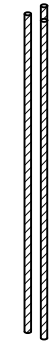
## MATERIALS PROVIDED

STANDARD FINISH:  
BLACK PAINT

### MATERIALS PROVIDED BY SLOAN SECURITY GROUP



(1) EACH:  
PREFABRICATED BOLLARD  
WITH BASE STRUCTURE  
(PRE-ASSEMBLED)



(4) EACH:  
#8 VERTICAL REBAR  
@ 48"

### MATERIALS PROVIDED BY INSTALLATION CONTRACTOR:

1. ABOUT 1.0 CUBIC YARDS OF CONCRETE PER BOLLARD
2. SIX (6) #5 HORIZONTAL REBAR PER BOLLARD TO CONNECT ADJACENT BOLLARDS
3. MASONRY BRICKS OR CHAIRS TO ELEVATE BOLLARD STEEL OFF SUBGRADE



**SLOAN SECURITY GROUP**

6828 W MELROSE ST  
BOISE, ID 83709  
1 (800) 275-5998 www.sloansg.com

**PATENT PROTECTED**

**THE DRAWINGS AND INFORMATION CONTAINED HEREIN ARE PROPRIETARY  
AND CONFIDENTIAL. ALL RIGHTS RESERVED**

MATERIALS  
PROVIDED

FB-2030-S  
SUBMITTAL DRAWING

SHEET: 3 OF 4

20230227-10-M

SCALE: N.T.S.

# SLOAN FIXED BOLLARD M30/P1

SHALLOW MOUNT BOLLARD - MODEL FB-2030-S

CRASH TESTED TO ASTM F2656-07 - M30/P1 RATED - STOPS 15,000 LB. VEHICLE AT 30 MPH IMPACT

## INSTALLATION STEPS

① EXCAVATE THEN TAMP SUBGRADE WITH PLATE TAMPER.

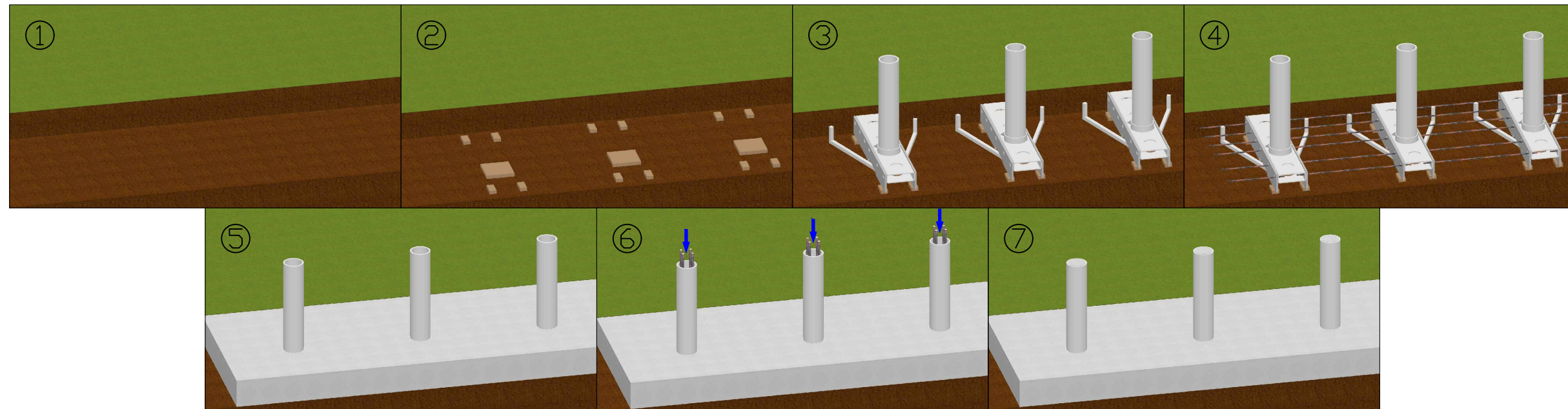
② USE MASONRY BLOCK OR CHAIRS TO ELEVATE BOLLARD OFF SUBGRADE, SO THAT TOP OF GUSSET / SLEEVE IS SAME HEIGHT AS TOP OF CONCRETE.

③ PLACE PREFABRICATED BOLLARDS INTO EXCAVATION.

④ INSERT #5 REBAR 3" INSIDE PREFABRICATED HOLES TO CONNECT BOLLARDS.

⑤ INSERT VERTICAL REBAR INTO BOLLARD TUBE.

⑥ FILL BOLLARD TUBE AND FOUNDATION WITH CONCRETE.



**SLOAN SECURITY GROUP**

6828 W MELROSE ST  
BOISE, ID 83709  
1 (800) 275-5998 www.sloansg.com

**PATENT PROTECTED**

**THE DRAWINGS AND INFORMATION CONTAINED HEREIN ARE PROPRIETARY AND CONFIDENTIAL. ALL RIGHTS RESERVED**

INSTALLATION STEPS

FB-2030-S  
SUBMITTAL DRAWING

SHEET: 4 OF 4

20230227-10-M

SCALE: N.T.S.