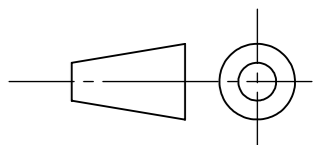
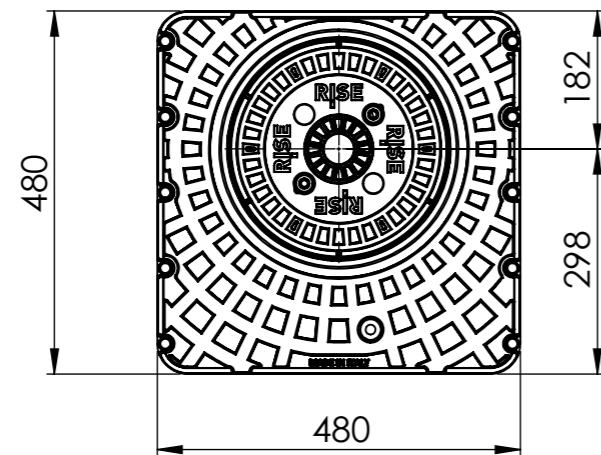
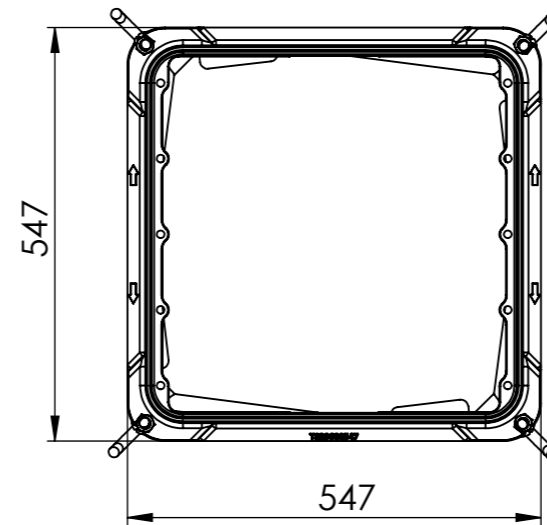
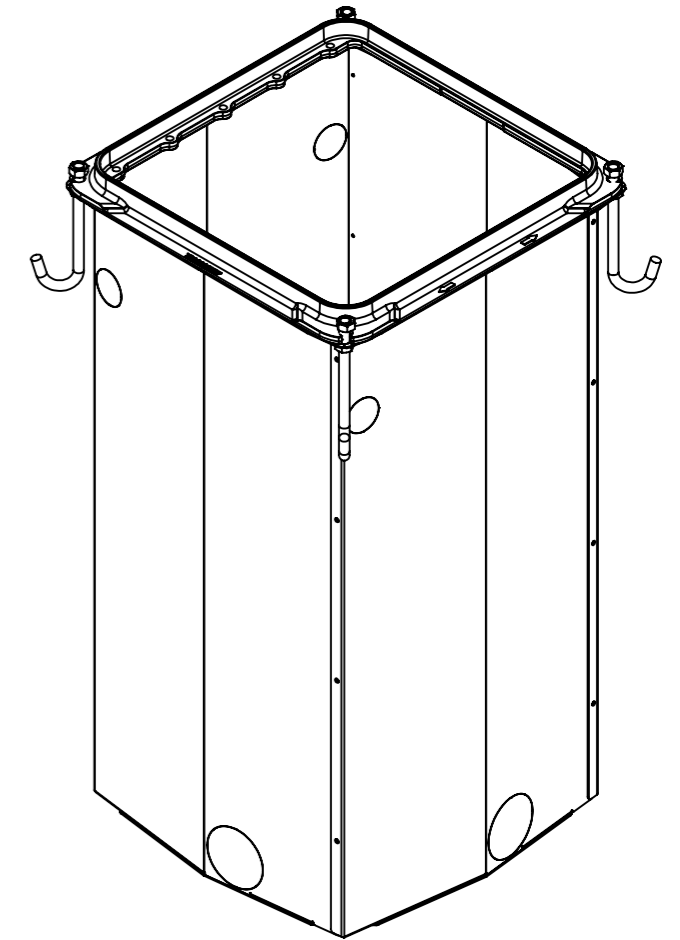
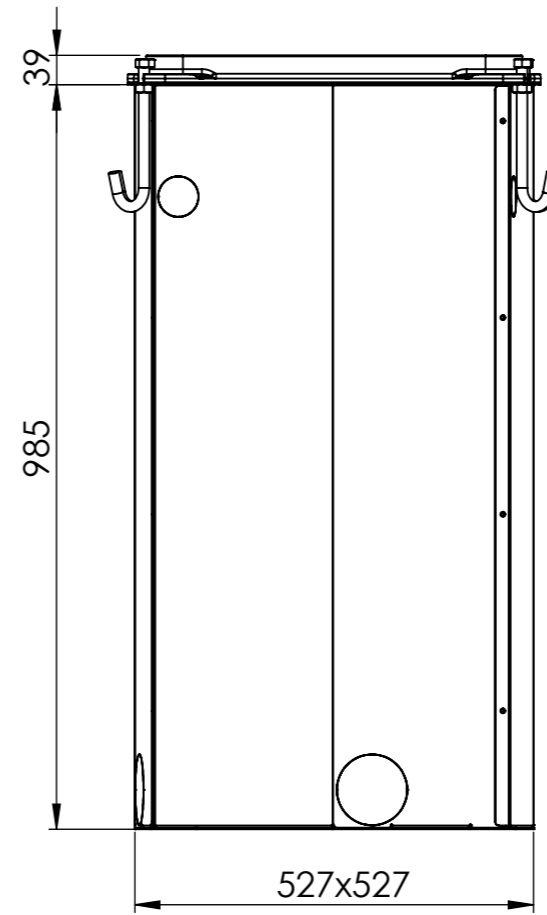
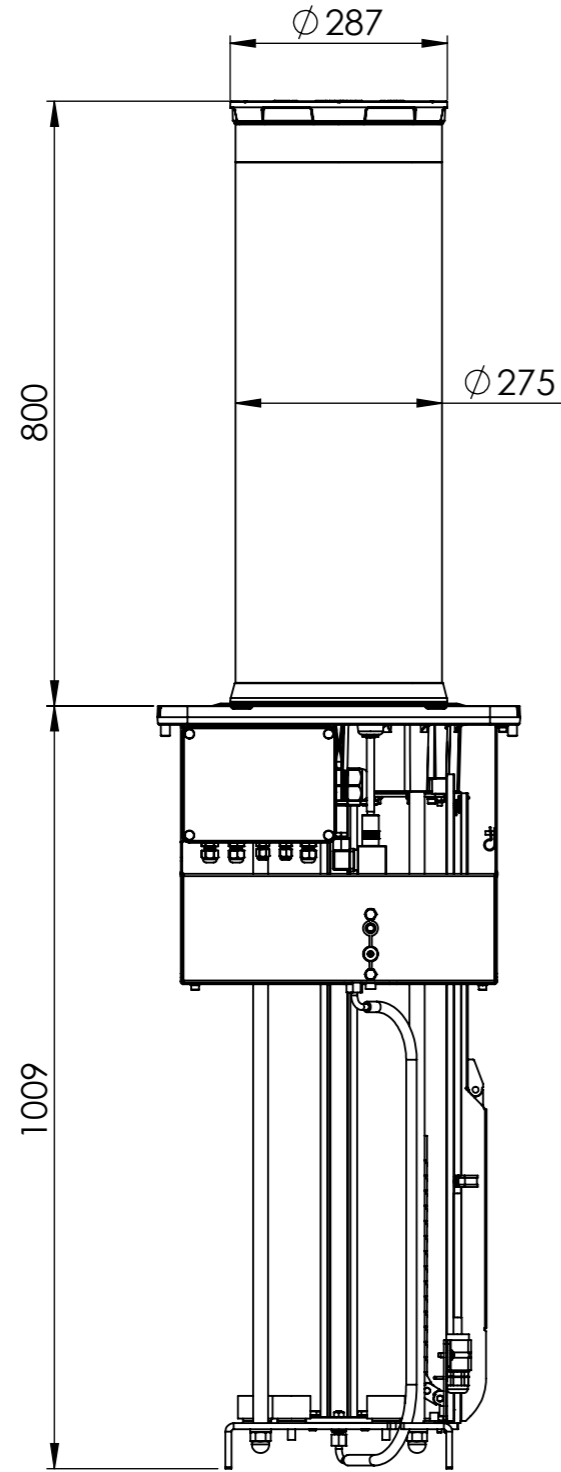


TOLERANCE UNLESS OTHERWISE SPECIFIED  
ISO 2768 m K

LINER	FROM 0.5 <sup>A</sup> / <sub>10</sub> 3 mm ±0.1	OVER 3 <sup>A</sup> / <sub>10</sub> 6 mm ±0.1	OVER 6 <sup>A</sup> / <sub>10</sub> 30 mm ±0.2	OVER 30 <sup>A</sup> / <sub>10</sub> 120 mm ±0.3	OVER 120 <sup>A</sup> / <sub>10</sub> 400 mm ±0.5	OVER 400 <sup>A</sup> / <sub>10</sub> 1000 mm ±0.8	OVER 1000 <sup>A</sup> / <sub>10</sub> 2000 mm ±0.8	OVER 400 <sup>A</sup> / <sub>10</sub> 1000 mm ±0.8
ANGULAR	FROM 0 <sup>A</sup> / <sub>10</sub> 10 mm ±1°	OVER 10 <sup>A</sup> / <sub>10</sub> 50 mm ±30'	OVER 50 <sup>A</sup> / <sub>10</sub> 120 ±20'	OVER 120 <sup>A</sup> / <sub>10</sub> 400 mm ±10'	OVER 400 mm ±5'			



2	****	****	****	**
1	****	****	****	**
INDEX	DATE	MODIFICATION DESCRIPTION		REVISER
		MATERIAL ****		INDEX <b>0</b>
		CODE *****	RAW CODE ****	DRAWER <i>Tecnic</i>
		FILE ***		CHECKED *****
		NAME <b>Sloan Hydraulic Retractable Bollard HB-3411</b>		SCALE 1:10
		TREATMENT ****	DATE 22/11/2022	
		All rights are reserved. Forbidden reproduction.		



6828 W Melrose St. Boise, ID 83709  
1-800-275-5998  
www.sloansg.com