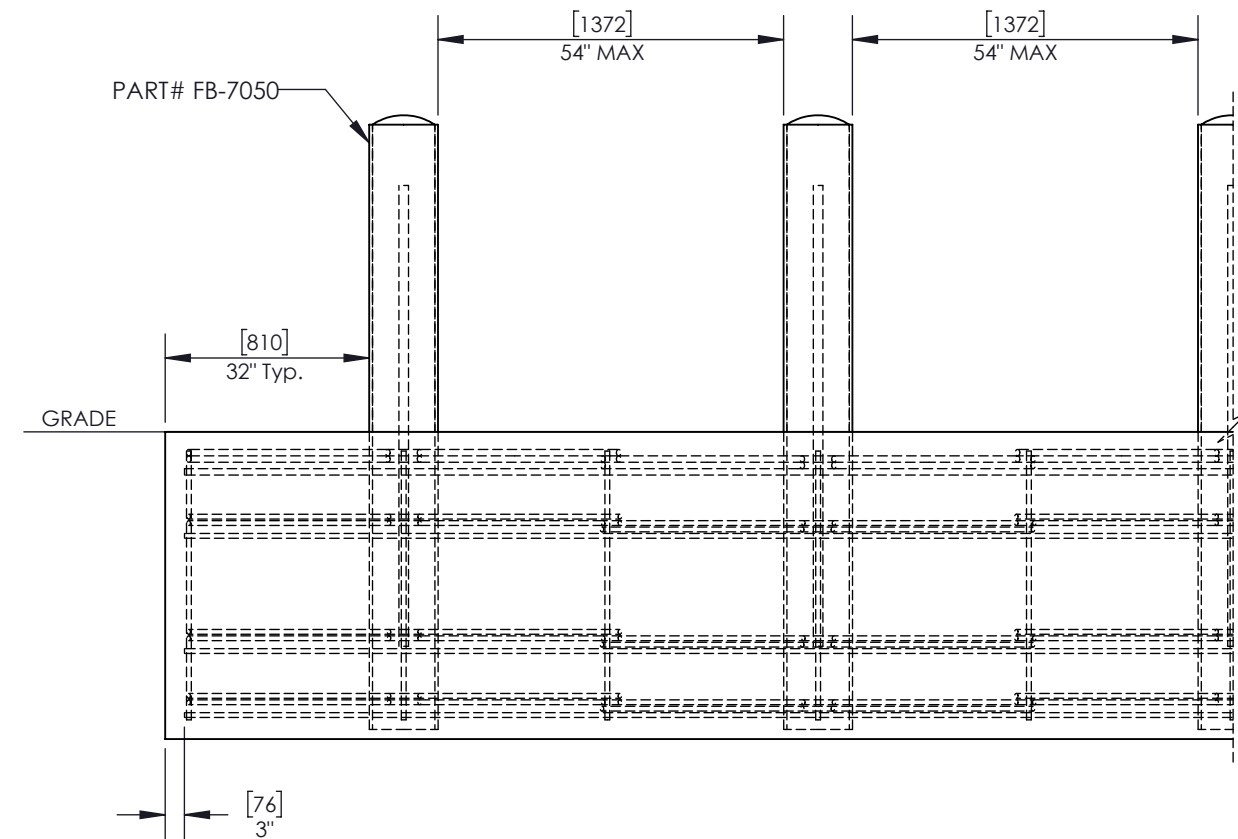
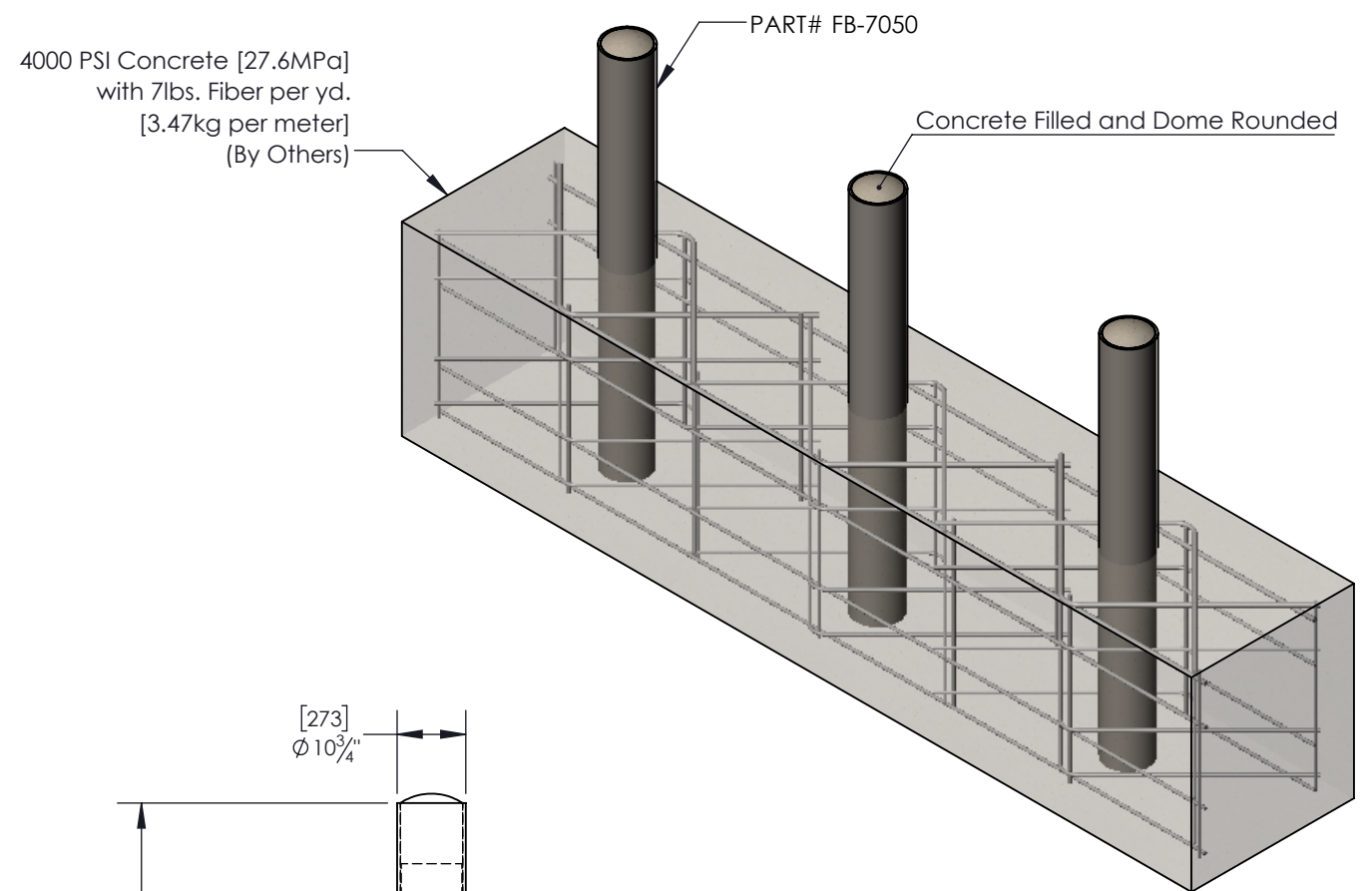
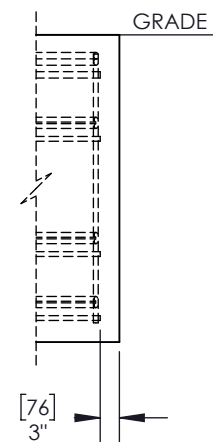


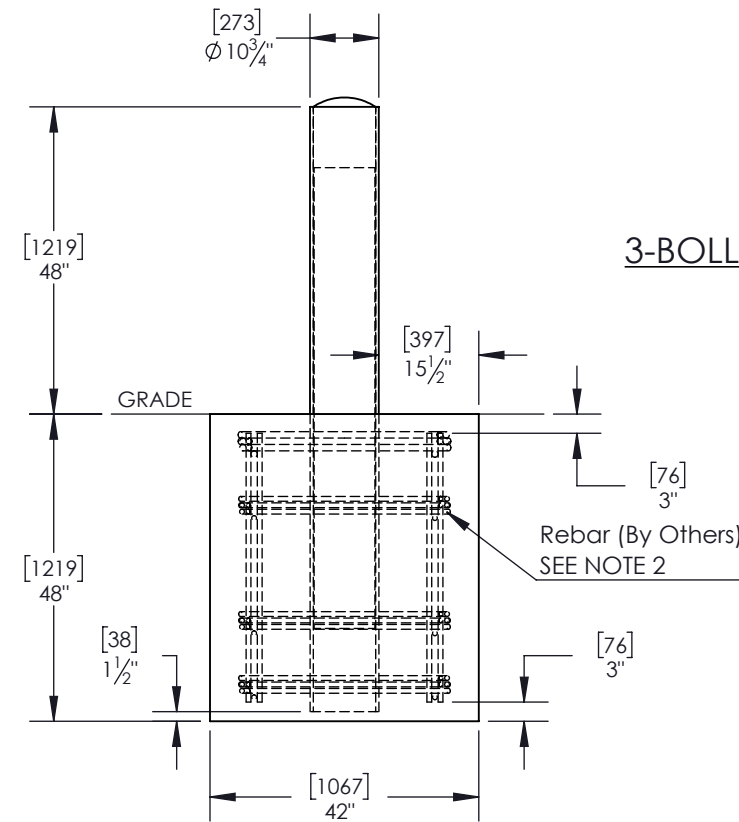
PLAN VIEW
SCALE 1 : 30



FRONT ELVATION VIEW (ATTACK SIDE)
SCALE 1 : 30



3-BOLLARD LAYOUT ISOMETRIC VIEW
SCALE 1 : 35



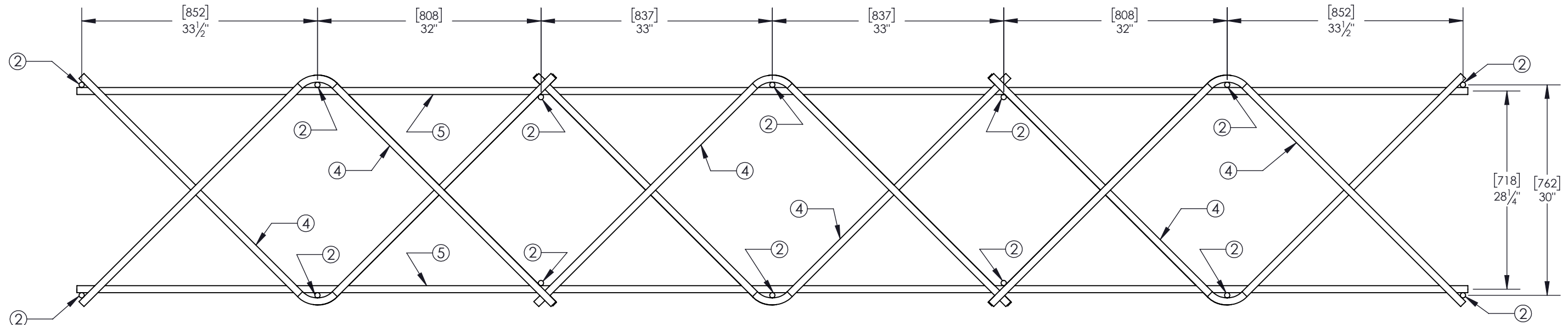
SIDE ELVATION VIEW
SCALE 1 : 30

GENERAL NOTES

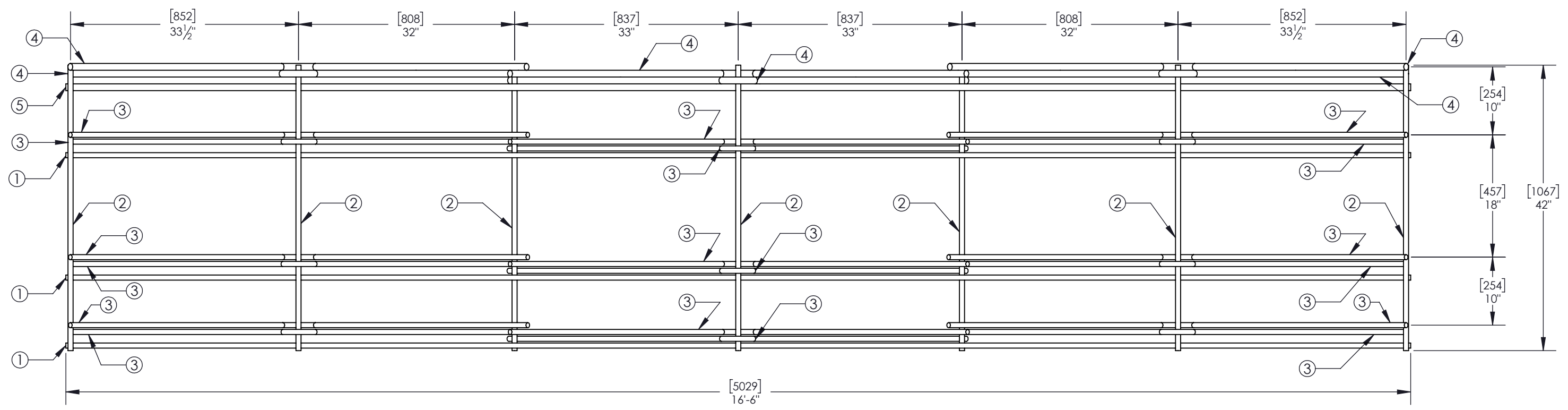
1. For additional information contact Sloan Security Group at 1-800-275-5998.
2. All concrete shall be per specification minimum 4000 PSI [27.6 MPa] with 7lbs. fiber per yd. [3.47kg per meter], by others. Rebar layout drawings available upon request.
3. The foundation dimensions shown represent the certified minimum. For arrays of more than 3 Bollards expand with typical spacings, as shown.
4. Units: Metric rounded to nearest [mm]. IPS measurements are rounded to the nearest 1/2".

THE DRAWINGS AND INFORMATION CONTAINED HEREIN
ARE PROPRIETARY AND CONFIDENTIAL.
ALL RIGHTS RESERVED

PRODUCT: FB-7050 M50-P1 Fixed Bollard		SHEET DESCRIPTION: 3-Bollard Layout	
		PROJECT: Standard	
		SCALE: VARIES	SHEET: 1 OF 1
		DWG # SL-1350	



PLAN VIEW REBAR
SCALE 1 : 15




ELEVATION VIEW REBAR
SCALE 1 : 15

FB-7050 REBAR B.O.M.				
ITEM NO.	DESCRIPTION	MEASURE (in)	QTY.	SHEET NO.
1	#6 Rebar	198	6	4
2	#6 Rebar	42	14	4
3	#6 Bent Rebar	48 X 48	18	4
4	#8 Bent Rebar	48 X 48	6	4
5	#8 Rebar	198	2	4

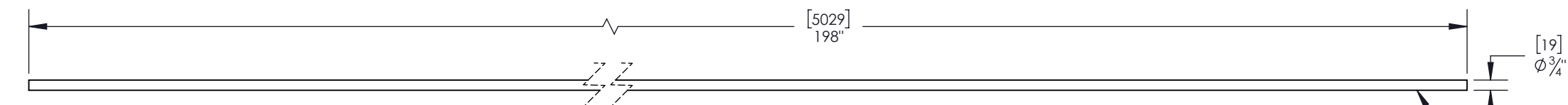
GENERAL NOTES

1. For additional information contact Sloan at 1-800-275-5998.
2. All concrete shall be per specification MIN. 4000 PSI [27.6 MPa] with 7lbs fiber per yd. [3.47kg per meter], by others. Refer to drawing# SL-1350 for Bollard and installation layout.
3. Units: Metric rounded to nearest [mm]. IPS measurements rounded to the nearest 1/2".

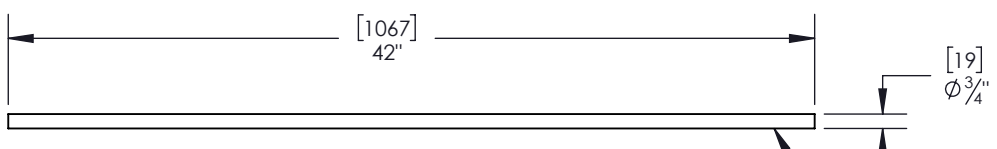
THE DRAWINGS AND INFORMATION CONTAINED HEREIN
ARE PROPRIETARY AND CONFIDENTIAL. ALL RIGHTS
RESERVED

PRODUCT: FB-7050 M50-P1 Fixed Bollard		SHEET DESCRIPTION: Rebar Assembly	
		PROJECT: Standard	
		SCALE: 1:15	SHEET: 1 OF 2

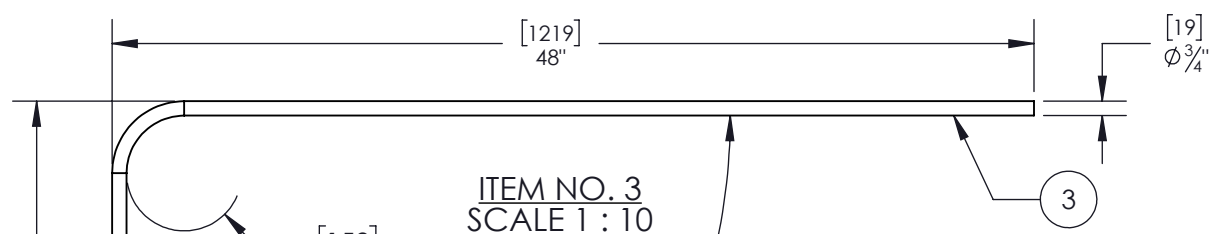
FB-7050 REBAR B.O.M			
ITEM NO.	DESCRIPTION	MEASURE (in)	QTY.
1	#6 Rebar	198	6
2	#6 Rebar	42	14
3	#6 Bent Rebar	48 X 48	18
4	#8 Bent Rebar	48 X 48	6
5	#8 Rebar	198	2



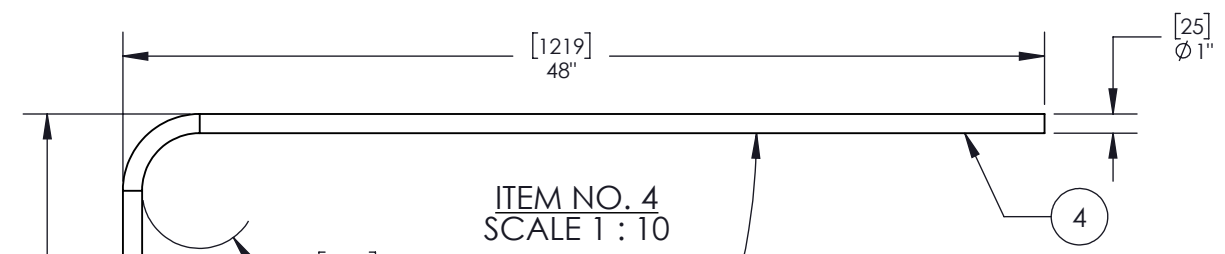
ITEM NO. 1
SCALE 1 : 10



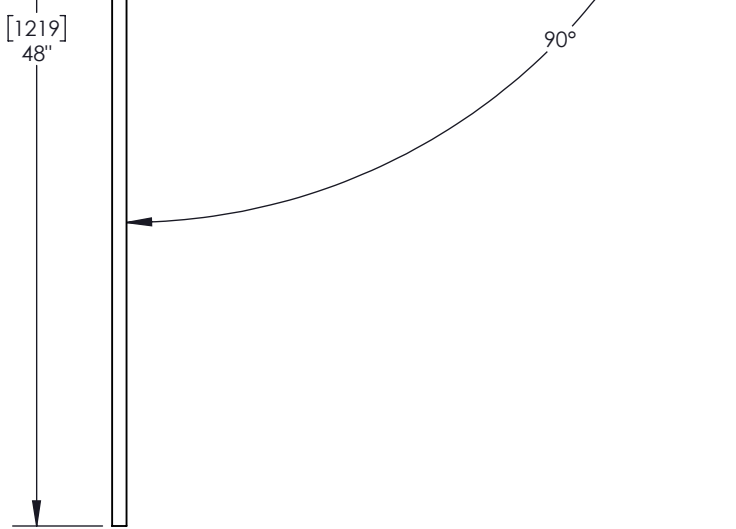
ITEM NO. 2
SCALE 1 : 10



ITEM NO. 3
SCALE 1 : 10




ITEM NO. 4
SCALE 1 : 10



ITEM NO. 5
SCALE 1 : 10

THE DRAWINGS AND INFORMATION CONTAINED HEREIN ARE PROPRIETARY AND CONFIDENTIAL. ALL RIGHTS RESERVED

PRODUCT: FB-7050 M50-P1 Fixed Bollard		SHEET DESCRIPTION: Rebar Part Details	
		PROJECT: Standard	
		SCALE: 1:10	SHEET: 2 OF 2